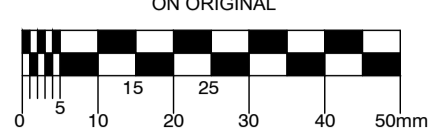


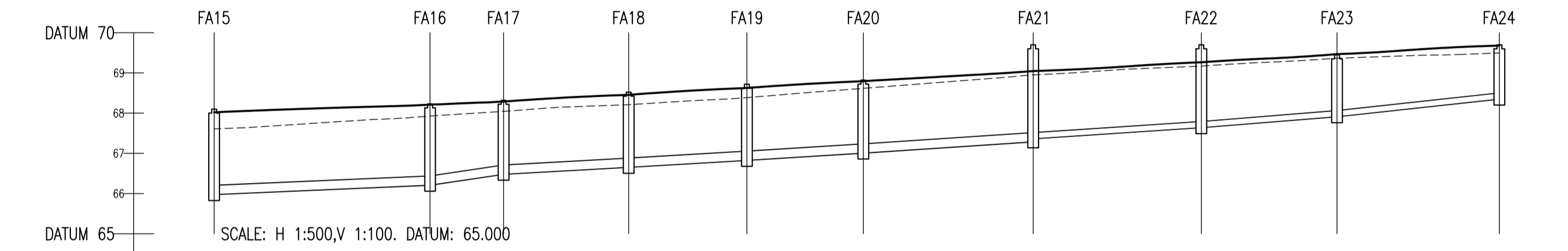
COVER LEVEL	65.229	63.811	63.662	65.050	64.970	66.000	66.500	66.949	67.206	67.400	67.480	67.613	67.700	67.810	68.100
INVERT LEVEL	59.989	60.474	60.770	61.113	61.198	63.369	63.429	63.507	63.556	64.365	64.463	64.569	65.584	65.710	66.976
DEPTH (m)	5.260	3.336	2.892	3.937	3.772	3.689	3.081	3.442	3.650	3.035	3.017	3.054	2.116	2.100	2.124
DISTANCE (m)		39.23	22.31	16.96	28.51	25.98	12.60	8.85	27.28	16.69	16.33	13.92	15.76	33.20	
PIPE SLOPE		1:78	1:75	1:199	1:199	1:170	1:180	1:180	1:175	1:170	1:170	1:110	1:125	1:125	
PIPE SIZE		225mm	225mm	225mm	225mm	225mm	225mm	225mm	225mm	225mm	225mm	225mm	225mm	225mm	

© COPYRIGHT OF THIS DRAWING IS RESERVED BY DBFL CONSULTING ENGINEERS. NO PART SHALL BE REPRODUCED OR TRANSMITTED WITHOUT THEIR WRITTEN PERMISSION.

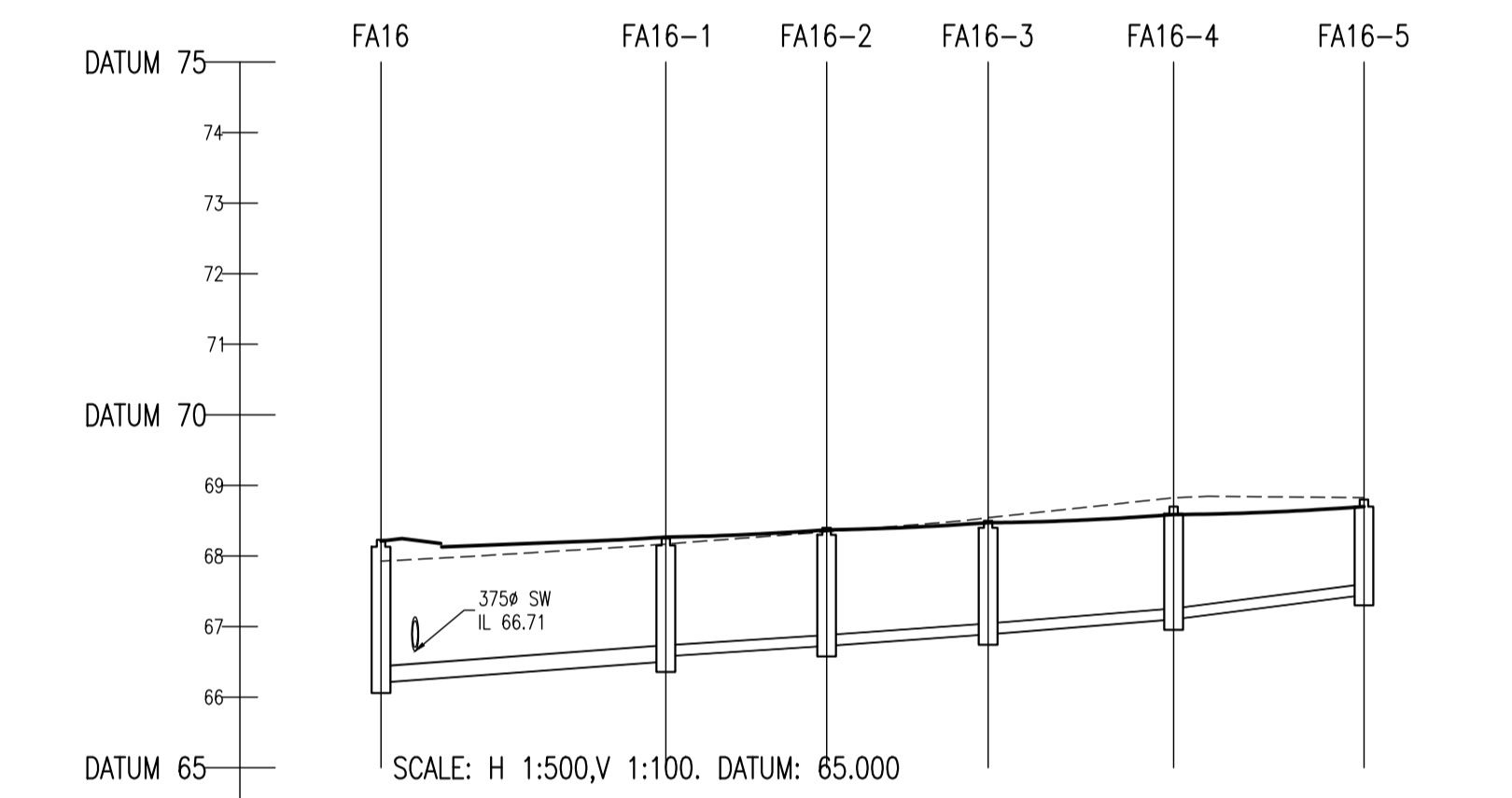


- NOTES:
- ALL DRAWINGS TO BE CHECKED BY CONTRACTOR ON SITE AND ENGINEER INFORMED OF DISCREPANCIES BEFORE WORK COMMENCES
  - ALL LEVELS ARE IN METRES AND ARE RELATED TO ORDNANCE DATUM
  - CONTRACTOR SHALL SATISFY HIMSELF AS TO THE ACCURACY OF PAVEMENT LEVELS ON SITE PRIOR TO COMMENCEMENT OF WORKS ON SITE
  - ALL WORKS TO BE CONSTRUCTED IN ACCORDANCE WITH THE NRA SPECIFICATION FOR ROAD WORKS UNLESS NOTED OTHERWISE
  - THIS DRAWING IS FOR PLANNING PURPOSES ONLY
  - MANHOLE COVER LEVELS ARE TO CONFORM WITH FINISHED ROAD AND PATH LEVELS
  - WHERE COVER TO PIPE IS LESS THAN 1200mm (ROAD/PATH/VERGE) OR 900mm (OPEN SPACE) SURROUND PIPE IN MINIMUM 150mm CONCRETE

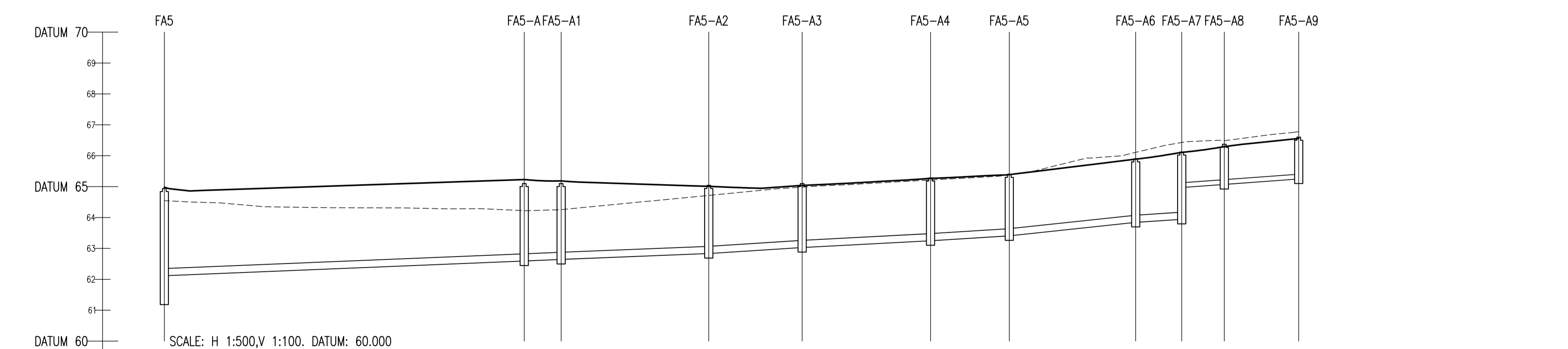
KEY  
 - - - - - EXISTING GROUND PROFILE  
 \_\_\_\_\_ PROPOSED GROUND PROFILE



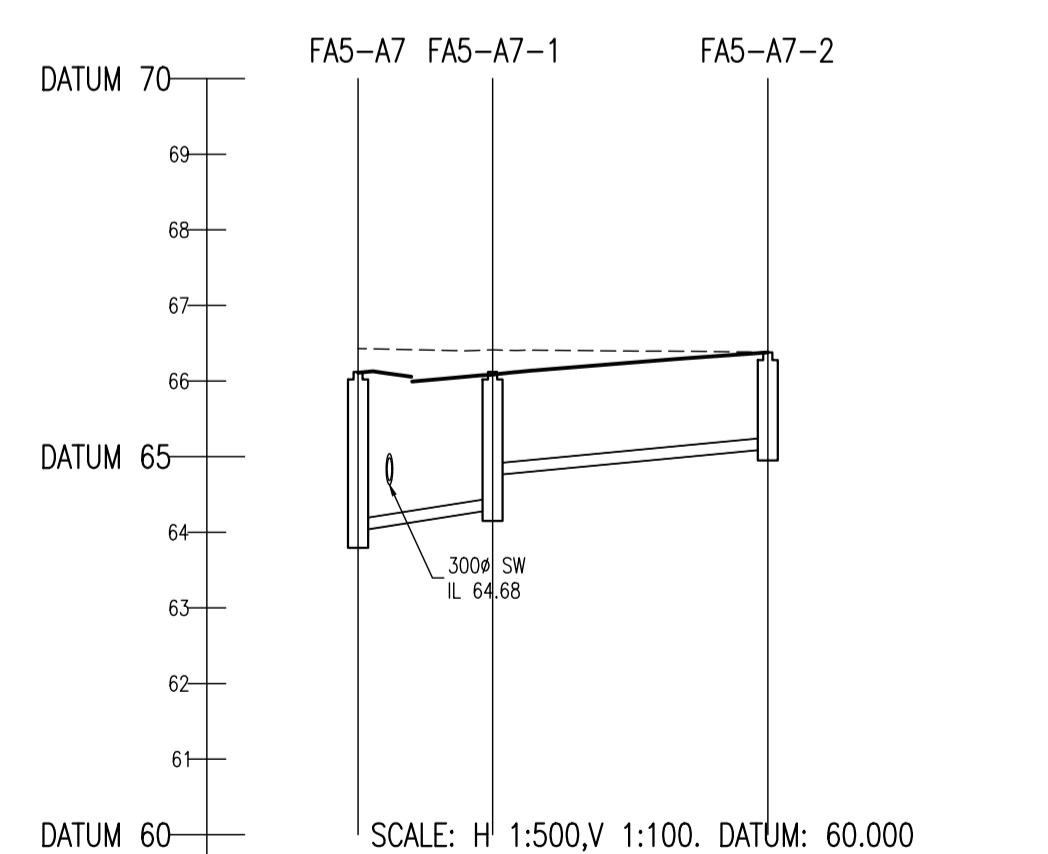
COVER LEVEL	68.100	68.230	68.320	68.520	68.720	68.820	69.700	69.700	69.450	69.700
INVERT LEVEL	65.976	66.209	66.209	66.654	66.827	67.008	67.286	67.363	67.640	67.912
DEPTH (m)	2.124	2.021	1.939	1.866	1.883	1.812	2.412	1.939	2.060	1.538
DISTANCE (m)		26.82	9.13	14.68	14.46	21.09	20.88	16.85	20.16	
PIPE SLOPE		1:115	1:34	1:90	1:85	1:75	1:82	1:46		
PIPE SIZE		225mm	225mm	225mm	225mm	225mm	150mm	150mm	150mm	



COVER LEVEL	68.230	68.250	68.400	68.500	68.700	68.800
INVERT LEVEL	66.210	66.507	66.582	66.728	66.892	67.104
DEPTH (m)	2.021	1.743	1.812	1.608	1.596	1.350
DISTANCE (m)		20.18	11.39	11.44	13.15	13.49
PIPE SLOPE		1:68	1:78	1:70	1:62	1:39
PIPE SIZE		225mm	150mm	150mm	150mm	150mm



COVER LEVEL	64.940	65.100	65.100	65.040	65.100	65.280	65.400	65.900	66.120	66.370	66.600
INVERT LEVEL	62.119	62.596	62.596	62.838	63.032	63.251	63.410	63.846	64.001	65.073	65.250
DEPTH (m)	3.029	2.594	2.453	2.202	2.068	2.029	1.990	2.054	2.175	1.297	1.350
DISTANCE (m)		58.23	5.97	15.11	20.77	12.74	20.46	7.44	6.89	12.04	
PIPE SLOPE		1:122	1:117	1:125	1:78	1:95	1:80	1:47	1:75	1:68	
PIPE SIZE		225mm	225mm	225mm	225mm	225mm	225mm	225mm	150mm	150mm	



COVER LEVEL	66.120	66.120	66.378
INVERT LEVEL	64.020	7.001	65.100
DEPTH (m)	2.175	1.820	1.278
DISTANCE (m)		8.90	18.20
PIPE SLOPE		1:32	1:53
PIPE SIZE		150mm	150mm

REV	DATE	DESCRIPTION	PJC	BY	CHKD
P1	17/12/19	PLANNING ISSUE			BCM

**STAGE 2 - PLANNING**

DESIGNED	BCM	PREPARED	PJC
DATE	OCT 2019	CHECKED	DJR

DBFL Consulting Engineers  
 Dublin Office: Ormrod House, Upper Ormrod Quay, Dublin 7, Ireland. PHONE +353 1 400 4000 FAX +353 1 400 4050  
 Waterford Office: Unit 2, The Chandlery, 1-2 O'Connell Street, Waterford, Ireland. PHONE +353 51 338 500 FAX +353 51 844 913  
 Email: info@dbfl.ie Site: www.dbfl.ie

PROJECT  
**NEWTOWNMOYAGHY SHD**

DRG. TITLE  
**LONGITUDINAL SECTIONS THROUGH FOUL SEWER SHEET 1 OF 6**

CLIENT  
**MCGARRELL REILLY**